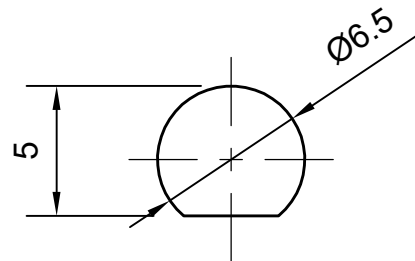
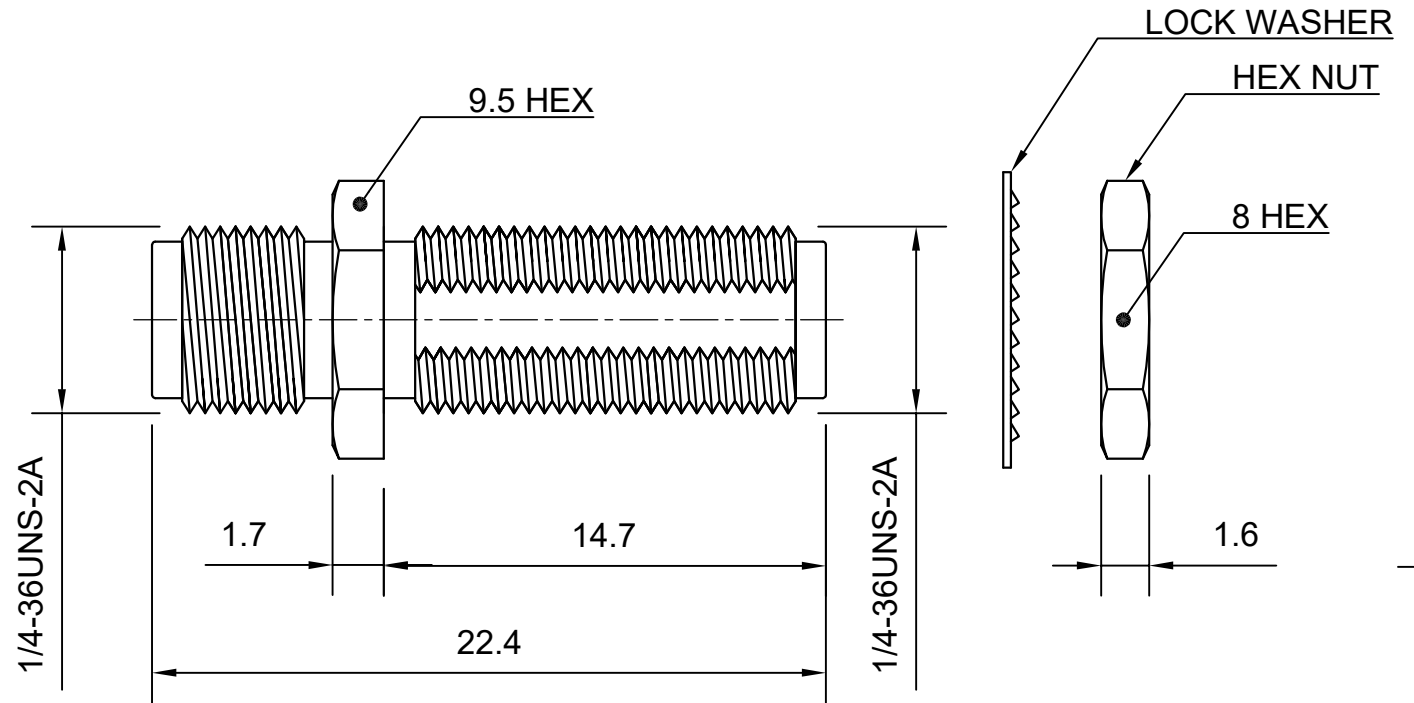


RevNo	Revision note	Date	Signature	Checked



Recommended  
Mounting Hole

TECHNICAL DATA	
Type	Adapter
Orientation	Straight
Impedance (Ohms)	50
Adapter Side 1	SMA
Side 1 Gender	Jack
Adapter Side 2	SMA
Side 2 Gender	Jack
Body Finish	Gold
Body Material	Brass
Contact Finish	Gold
Contact Material	Beryllium Copper
Insulator Material	PTFE
Max. Frequency (GHz)	18
Mounting Feature	Bulkhead
Min. Temp. (Celsius)	-65
Max. Temp. (Celsius)	165
Weight (Grams)	4.0

		SHEET	1 of 1	SCALE	NTS
		<b>RF ADAPTER</b>			
DRAWN	VINAY	22.10.2018	<b>SMA Female to SMA Female BULKHEAD PANEL MOUNT TYPE</b>		
CHECK					
APPR.	VINAY	22.10.2018			
ISSUED					
REV	R0		DWG NO	<b>VSW-AD-071231-S</b>	

FILE PATH: D:\VINSUR\DRAWINGS -- VINSUR\ADAPTERS\SMA - SMA

FILE NAME: ADAPTER - SMA Female to SMA Female Bulk Head - VSW-AD-071231-S.dwg

SIZE